

**PLEASE CHECK WWW.MOLEX.COM FOR LATEST PART INFORMATION**

**Part Number:** [0439382205](#)  
**Status:** **Active**  
**Overview:** [minifit\\_sr](#)  
**Description:** 10.00mm (.393") Pitch Mini-Fit Sr.™ Plug Housing, Dual Row, Panel Mount, 14 Circuits

**Documents:**

[3D Model](#) [Product Specification PS-42815-001 \(PDF\)](#)  
[Drawing \(PDF\)](#) [RoHS Certificate of Compliance \(PDF\)](#)

**Agency Certification**

CSA	LR19980
TUV	R72081037
UL	E29179

**General**

Product Family	Crimp Housings
Series	<a href="#">43938</a>
Overview	<a href="#">minifit_sr</a>
Product Name	Mini-Fit Sr.™

**Physical**

Circuits (maximum)	14
Color - Resin	Black
Flammability	94V-0
Gender	Male
Glow-Wire Compliant	No
Material - Resin	Polyester
Number of Rows	2
Packaging Type	Bag
Panel Mount	Yes
Pitch - Mating Interface (in)	0.394 In
Pitch - Mating Interface (mm)	10.00 mm
Stackable	No
Temperature Range - Operating	-40°C to +105°C

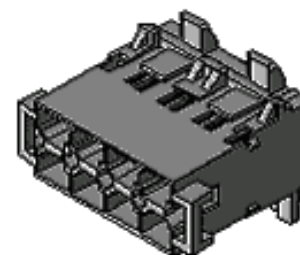
**Electrical**

Current - Maximum per Contact	50A
-------------------------------	-----

**Material Info**

**Reference - Drawing Numbers**

Packaging Specification	PK-45286-002
Product Specification	PS-42815-001, RPS-42815-001, RPS-42815-012, RPS-42815-013, RPS-42815-015
Sales Drawing	SD-43938-003



*image - Reference only*

*Series*

**EU RoHS**

**ELV and RoHS  
Compliant**  
**REACH SVHC  
Contains SVHC: No**  
**Halogen-Free  
Status**

**China RoHS**



**Not Halogen-Free**  
**Need more information on product  
environmental compliance?**

Email [productcompliance@molex.com](mailto:productcompliance@molex.com)  
For a multiple part number RoHS Certificate of  
Compliance, [click here](#)

Please visit the [Contact Us](#) section for any  
non-product compliance questions.

**Search Parts in this Series**

[43938Series](#)

**Mates With**

[43914](#)

**Use With**

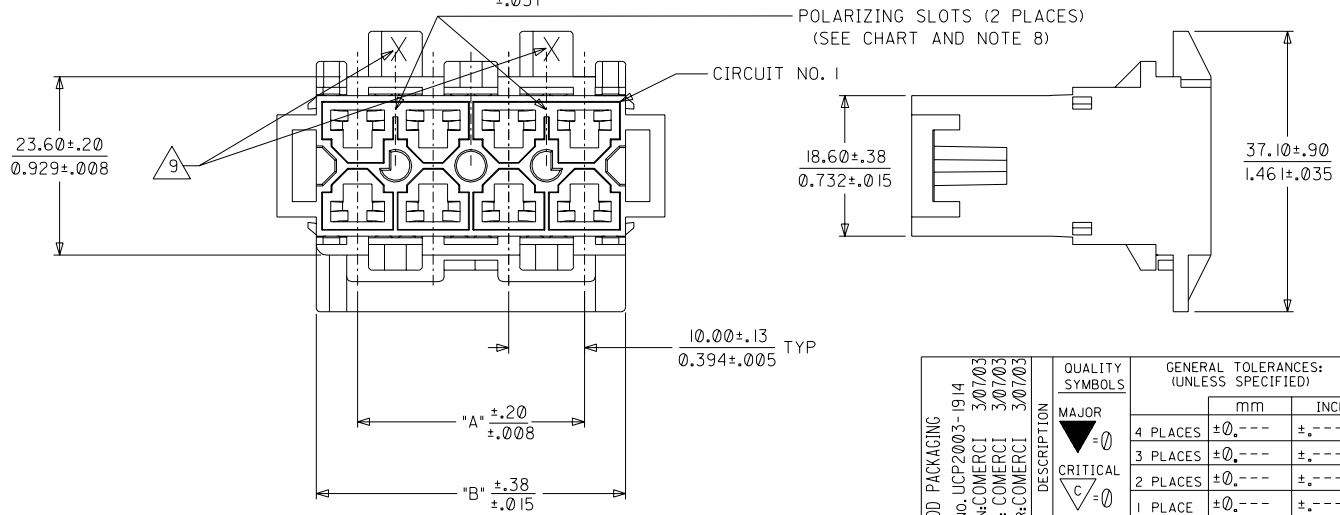
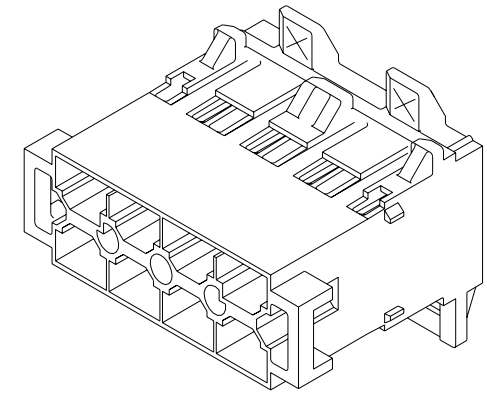
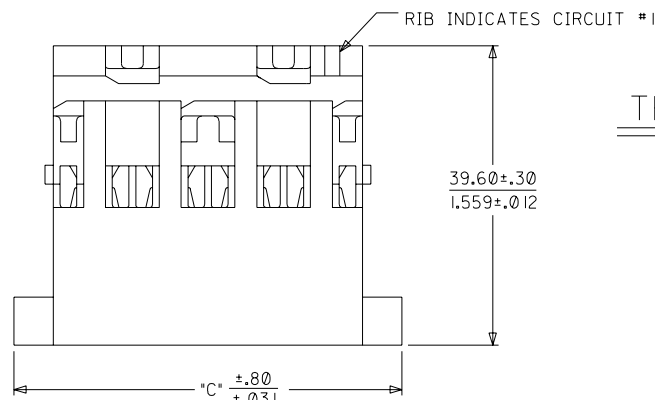
[439801005 TPA™](#)

MATERIAL NUMBER	POSITION NUMBER	DIM. "A"	DIM. "B"	DIM. "C"	QUANTITY OF POLARIZING SLOTS	PANEL THICKNESS ACCOMMODATED
43938-2201	6	20.00 .787	30.90 1.216	41.30 1.626	1	1.30/1.76 .051/.069
43938-2202	8	30.00 1.181	40.90 1.610	51.30 2.020	2	
43938-2203	10	40.00 1.575	50.90 2.004	61.30 2.413	2	
43938-2204	12	50.00 1.968	60.90 2.398	71.30 2.807	2	
43938-2205	14	60.00 2.362	70.90 2.791	81.30 3.201	2	

**NOTES:**

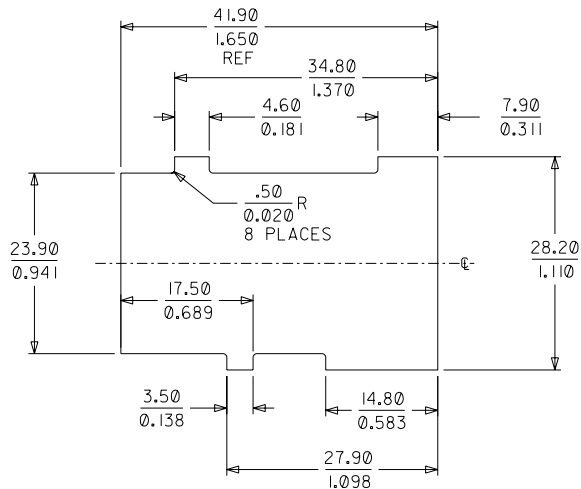
- MATERIAL: UNFILLED POLYESTER, U.L. 94V-0, COLOR: BLACK
- FINISH: NONE
- PRODUCT SPEC.: PS-42815-001
- THIS PART IS DESIGNED TO USE MALE CRIMP TERMINAL #42817.
- THIS PART IS DESIGNED TO USE T.P.A. #43980.
- THIS PART IS DESIGNED TO MATE WITH RECEPTACLE HOUSING #43914.
- SEE SHEET 2 FOR PANEL CUT-OUT DETAILS.
- POLARIZING SLOTS TO BE LOCATED BETWEEN CIRCUITS ON EITHER END OF HOUSING OF THE CIRCUIT I ROW AS SHOWN.  
EXCEPTION: THE 6 CIRCUIT HOUSING WILL HAVE A SINGLE SLOT ON THE CIRCUIT I END ONLY.
- AN "X" IS ENGRAVED AS SHOWN, TO DESIGNATE THAT THE PART ACCOMMODATES A 1.30/1.76 PANEL THICKNESS.
- FOR PACKAGING INFORMATION SEE PK-43938-001.

THIS PRODUCT MUST NOT BE USED WITHOUT THE T.P.A.

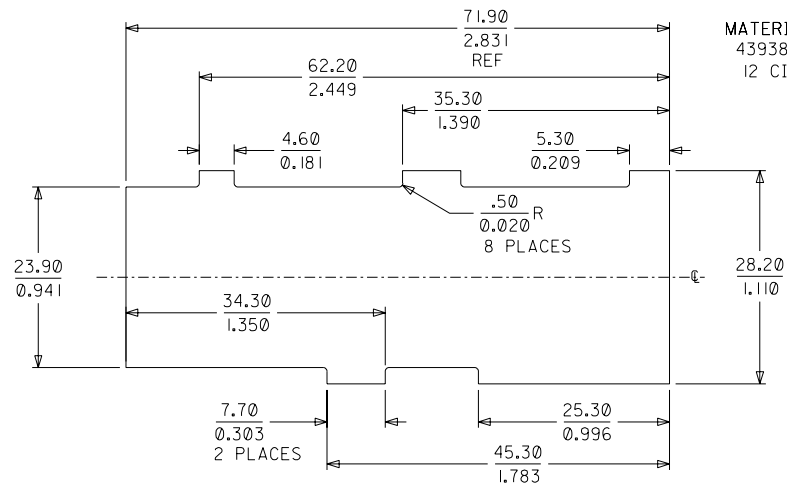


ADD PACKAGING EC NO. UCP2003-1914 DRAWING: COMERCI 300703 CHK: COMERCI 300703 APPR: COMERCI 300703	DESCRIPTION MAJOR CRITICAL	QUALITY SYMBOLS	GENERAL TOLERANCES: (UNLESS SPECIFIED)	SCALE 2 : 1	DESIGN UNITS <input checked="" type="checkbox"/> mm <input type="checkbox"/> INCH	THIRD ANGLE PROJECTION	DIMENSIONS: <input checked="" type="checkbox"/> mm <input type="checkbox"/> INCH <input type="checkbox"/> mm ONLY	SHT 2	REV AI
		MAJOR CRITICAL	mm INCH	DRAWN BY & DATE COMERCI 99/12/06	CHECKED BY & DATE COMERCI 99/12/06	TITLE: DUAL ROW PANEL MT. PLUG, FOR THIN PANELS MINI-FIT SR. SERIES	MATERIAL NO. SEE CHART	DRAWING NO. SD-43938-003	SHEET NO. 1 OF 2
REV AI	DESCRIPTION	ANGULAR: ± --°	CAD FILENAME	MATERIAL NO. SEE CHART		DRAWING NO. SD-43938-003		SHEET NO. 1 OF 2	
DRAFT WHERE APPLICABLE MUST REMAIN WITHIN DIMENSIONS			THIS DRAWING CONTAINS INFORMATION THAT IS PROPRIETARY TO MOLEX INCORPORATED AND SHOULD NOT BE USED WITHOUT WRITTEN PERMISSION.						

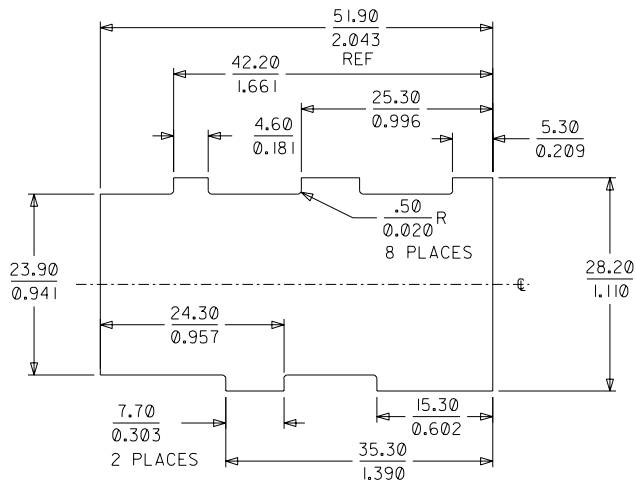
MATERIAL NO.:  
43938-2201  
6 CIRCUIT



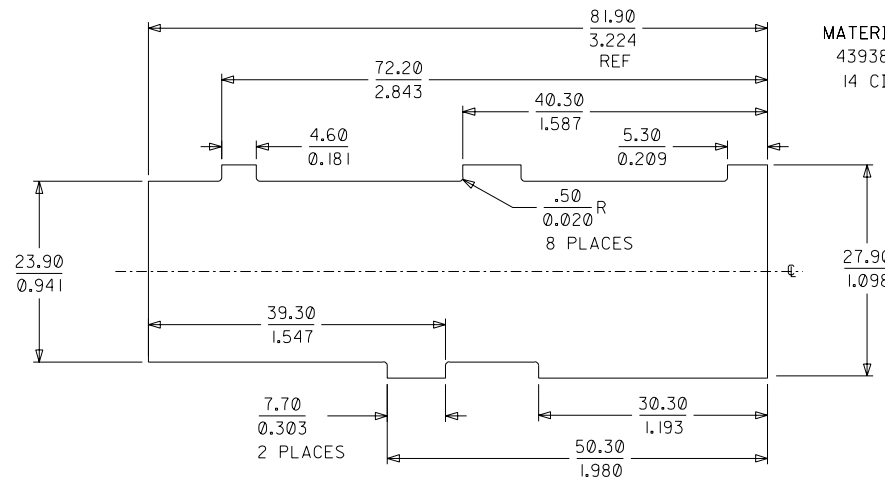
MATERIAL NO.:  
43938-2204  
12 CIRCUIT



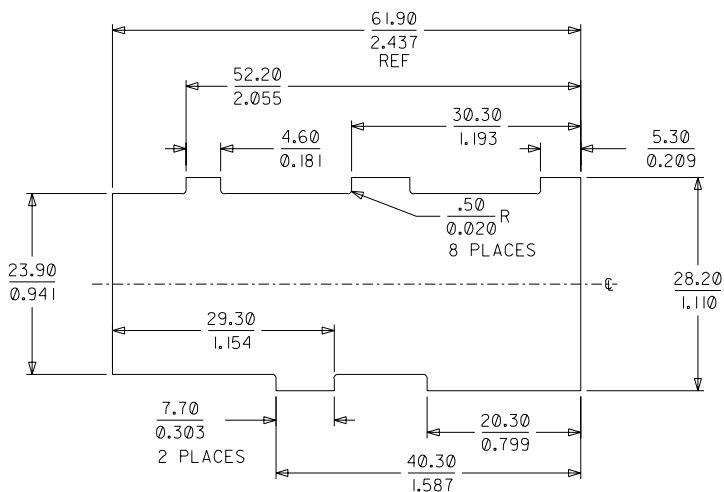
MATERIAL NO.:  
43938-1102  
43938-2202  
8 CIRCUIT



MATERIAL NO.:  
43938-2205  
14 CIRCUIT



MATERIAL NO.:  
43938-2203  
10 CIRCUIT



PANEL OPENINGS SHOWN FROM OUTSIDE OF BOX.  
SEE CHART FOR PANEL THICKNESS.

SEE SHEET 1 EC NO. UCP2003-1914 DRAWING: COMERC 300703 CHK: COMERC 300703 APPR: COMERC 300703	DESCRIPTION MAJOR CRITICAL	QUALITY SYMBOLS	GENERAL TOLERANCES: (UNLESS SPECIFIED)	SCALE 2 : 1	DESIGN UNITS <input checked="" type="checkbox"/> mm <input type="checkbox"/> INCH	DIMENSIONS: <input checked="" type="checkbox"/> mm <input type="checkbox"/> INCH <input type="checkbox"/> mm ONLY	SHT	REV
		MAJOR CRITICAL	mm INCH	DRAWN BY & DATE COMERC 99/12/06	THIRD ANGLE PROJECTION	TITLE: DUAL ROW PANEL MT. PLUG, FOR THIN PANELS MINI-FIT SR. SERIES	REVISE ON CAD ONLY	
REV	AI	4 PLACES ±0.--- ±.---	3 PLACES ±0.--- ±.004	CHECKED BY & DATE COMERC 99/12/06	APPROVED BY & DATE COMERC 99/12/06	MATERIAL NO. SEE CHART	DRAWING NO. SD-43938-003	SHEET NO. 2
		2 PLACES ±0.10 ±.---	1 PLACE ±0.--- ±.---	CAD FILENAME	SIZE C			
DRAFT WHERE APPLICABLE MUST REMAIN WITHIN DIMENSIONS		THIS DRAWING CONTAINS INFORMATION THAT IS PROPRIETARY TO MOLEX INCORPORATED AND SHOULD NOT BE USED WITHOUT WRITTEN PERMISSION.						